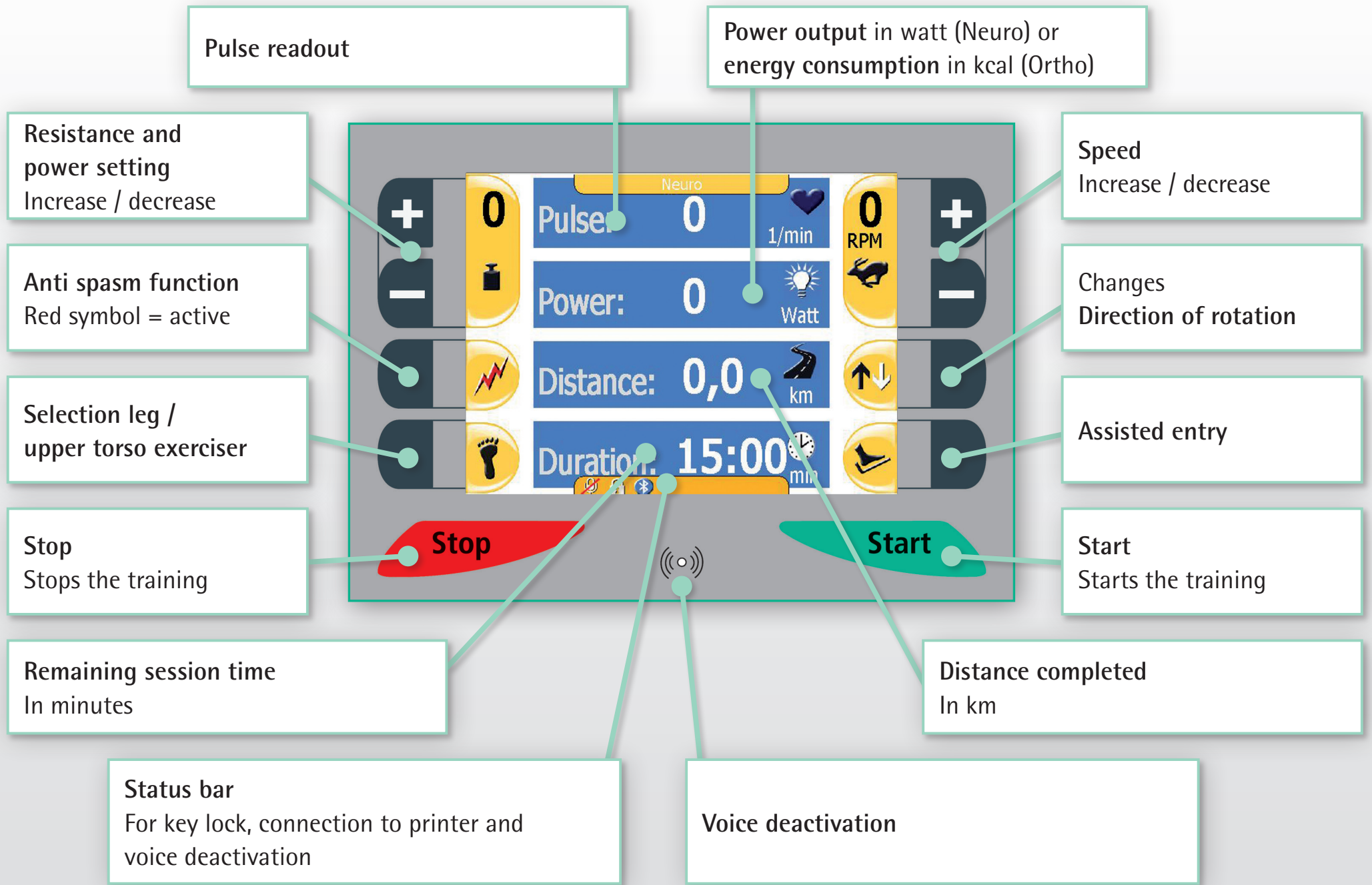
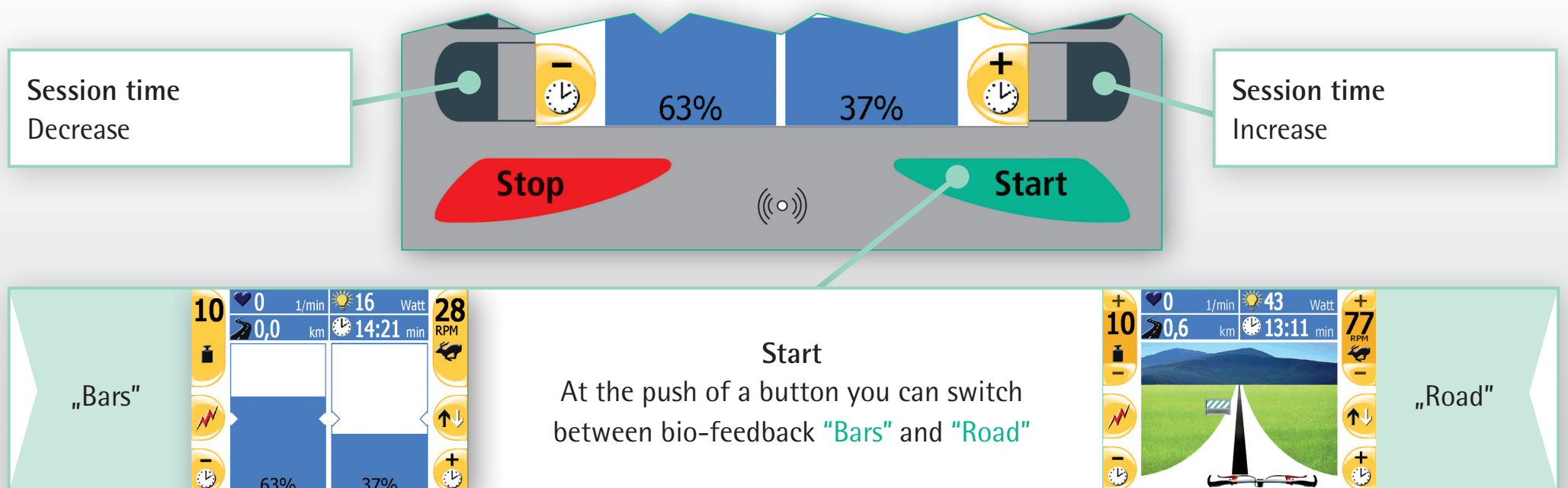


Screen → before the training



Screen → during the training



Default values → reset

